

TECHNICAL FILE
SCRATCH & STRETCH
Street Version

Genre: Contemporary circus – suitable for all audiences

Length of performance: 30/40 minutes

The company: 3 persons (2 artists and 1 technician)

Techniques used: Juggling: balls and clubs – hand to hand – aerial acrobatics: cloth and aerial ropes

Live musica: Beat-box, piano, synthesizer, sampler

Company material

Aerial bridge: 7m high x 3.50m wide

Lighting: 2 PAR 64 (1000 W), 12 PC (1000 W), 4 spotlights 650 W

For outdoor performances the installation can vary according to weight-bearing availability

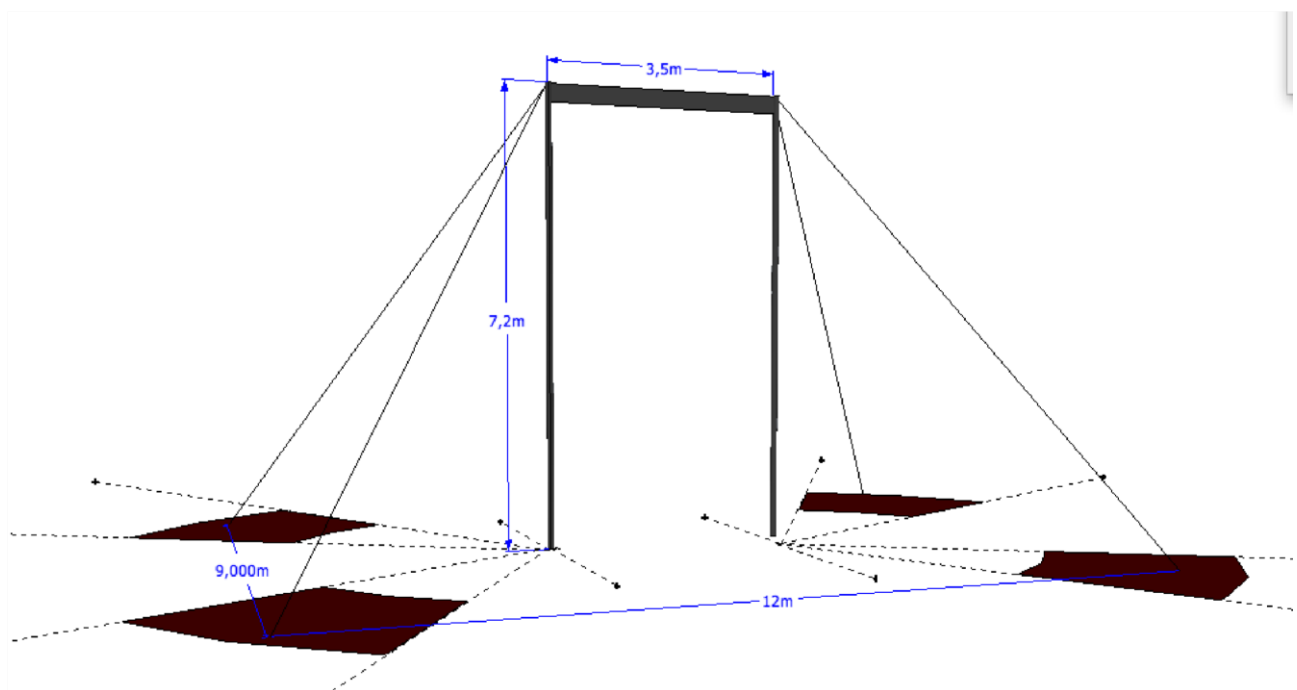
Minimum 2400 watts - Maximum 12000 watts

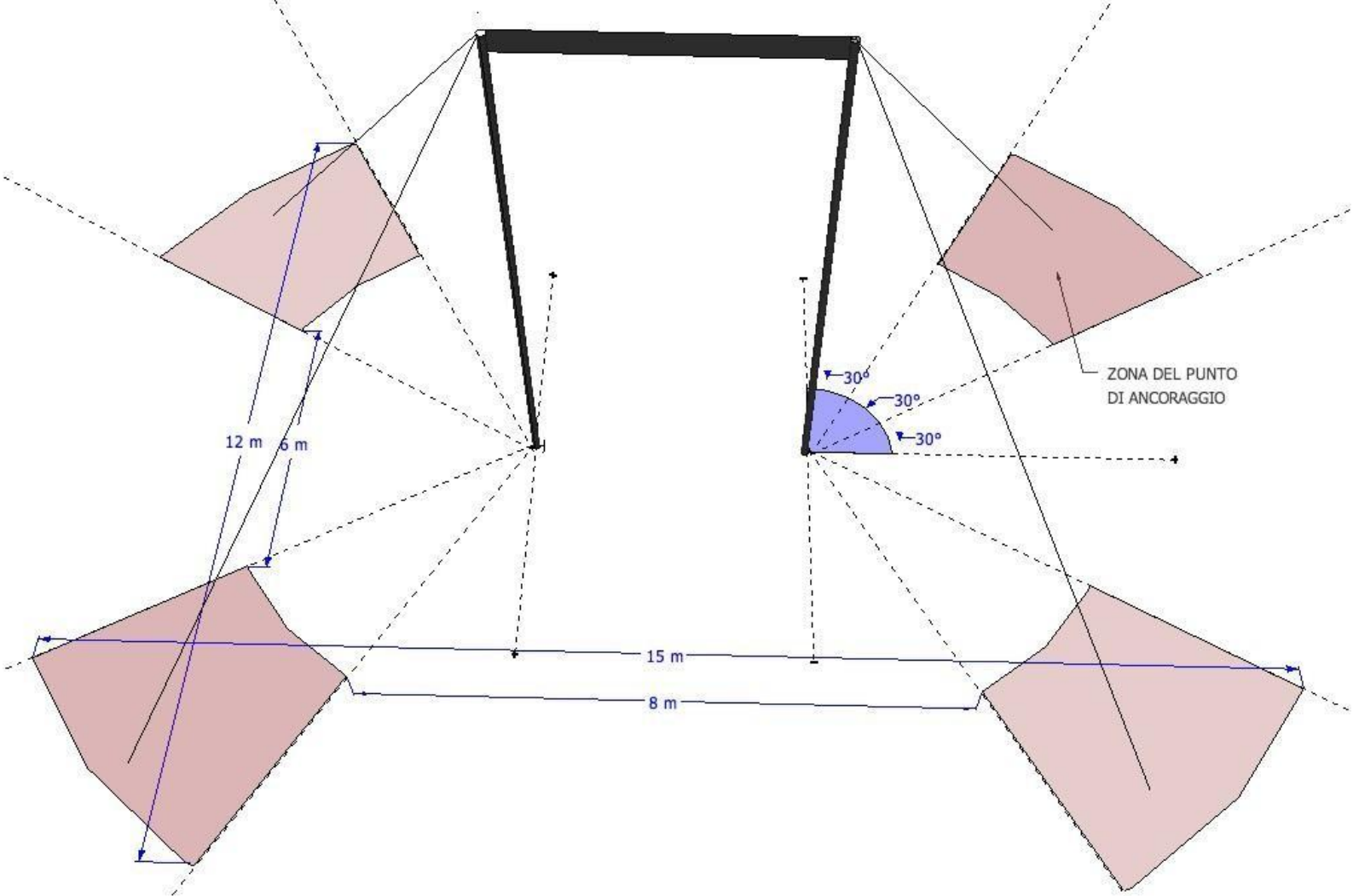
Audio equipment: 2 speakers (375 watts) 2 monitors (175 watts)

To be provided by organizers

4 anchorage points (min. 350 Kg) for the aerial structure (indicated in pink in images).

When stakes can be placed as anchors the company can provide stakes.





Electrical supply: Ideal – 2 separate channels with industrial sockets (IEC 309). Minimum – one standard domestic socket

Seating: Ideal – audience seated (tiered seating, benches, chairs). Minimum – 2-3 rows of chairs.

Assembly

Ideal assembly: aerial structure assembled the day before a performance (required time: 1 hour). Six persons are required for 10-15 minutes during the final stage of assembling the structure. On the day of the performance approximately 2 hours are required to prepare the set (lights, audio, live DJ set, dance mat, etc), plus a 30-minute warm-up period before the performance.

Minimum conditions: Morning or early afternoon assembly of structure. Total time required to assemble full set: 3-5 hours.

PLEASE NOTE: Whenever the structure is assembled on the same day as the performance the company will perform only ONE show. This technical file is an integral part of the contract. For additional requirements and information please contact the company.